



RM™ 10 System

Installation Instructions

Note to Dealers: If you install this product for the consumer, please provide him/her with this owner's manual after installation.

Thank you for purchasing the RM™ 10 System designed for use on bikes featuring the 10mm post mount. The RM10 post will replace the current barrel nuts on the fore/aft adjustment system on compatible bikes. Go to profile-design.com/rm10 for a list of compatible bikes.

Please read these instructions thoroughly before attempting to install this accessory. Proper installation is required for compliance with Profile Design's warranty policy. If you need help with this installation, please seek the assistance of your local Profile Design dealer by logging on to www.Profile-Design.com and using "dealer search" or by calling Profile Design's customer service number.

Tools and materials required:

5mm Hex Wrench, 4mm L bend Hex Wrench, Marker, Tape measure

- IMPORTANT:** Mark the current location of the saddle. Measure the distance from the tip of the saddle nose to the center of the steer tube. Write this number down. NOTE: Due to the nature of this system the alignment of the clamp on the saddle rails and the alignment of the clamp on the seatpost may differ. Knowing this number before installation is imperative to replicating saddle location once the system is installed.
- Loosen the bolt on the side of the saddle rail clamp to remove the saddle from the seatpost.
- With the saddle removed you can now access the M5 bolts that secure the saddle rail clamp to the seatpost. While keeping the clamp from sliding fore/aft remove the M5 bolts.
- Once the bolts are removed slide the RM10 post into the hole. This will push out the existing barrel nuts.

NOTE: If saddle is mounted on the front half of the seat post use the forward position on the bolts. If saddle is mounted on the rear half of the seatpost use the rear position on the bolts.
- Thread the bolts through the top of the saddle clamp and into the RM10 post. Hand tighten so the bolts are loose enough for the system to move freely fore/aft on the seatpost.
- Install the saddle back into the saddle rail clamp. Using the 5mm Hex Wrench slightly tighten the rail clamp bolt on the side so the rails are still free to move.
- Slide the saddle back until it sits just in front of the bottle cage. Using the 5mm Hex Wrench tighten the saddle rail clamp to the torque specified by the clamp manufacturer.
- Align the saddle to the same distance that you wrote down at the beginning of installation. Using the 4mm L bend Hex Wrench tighten the two bolts securing the RM10 system.

NOTE: To add a second cage the single cage must be removed and placed on the side of the Arch Mount. The second cage can then be added to the other side of the mount. Tighten the cage bolts to 4Nm (35in-lbs)

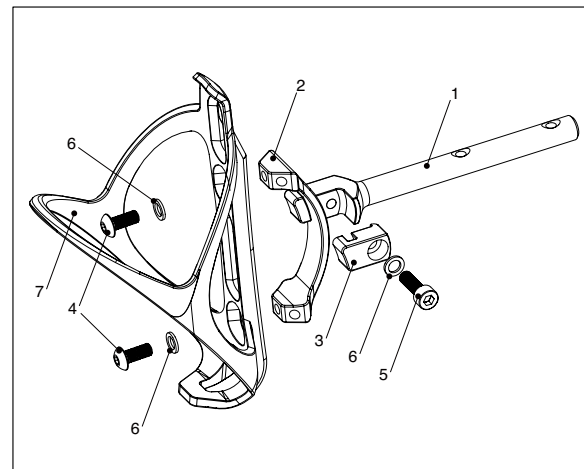


FIG. 1

RM10 - PARTS LIST			
Ref.#	Part #	Qty. Req.	Part Description
1	796202	1	RM-10 Body
2	796203	1	RM arch mount
3	347634	1	RM arch mount clamp
4	313578	2	bolt M5*10 BHB
5	313573	1	bolt M5*14 SHB
6	275565	3	Washer- 5*8
7	414224	1	Vise Cage Black